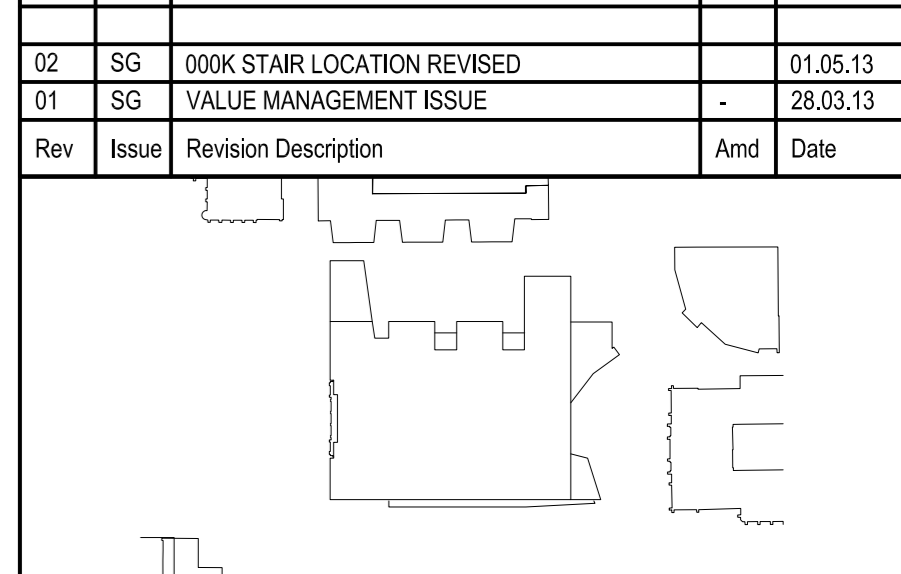


THIS DRAWING IS AN UNCONTROLLED COPY UNLESS STAMPED OTHERWISE
 CONTRACTORS SHALL VERIFY JOB DIMENSIONS BEFORE ANY JOB COMMENCEMENT
 ALL SHOP DRAWINGS SHALL BE SUBMITTED TO THE SUPERINTENDENT AND MANUFACTURE SHALL NOT COMMENCE PRIOR TO THE RETURN OF UNAMENDED SHOP DRAWINGS SIGNED BY THE CONSULTANT. REQUIRED DIMENSIONS SHALL HAVE PRECEDENCE OVER SCALES. THIS DRAWING SHALL BE READ IN CONJUNCTION WITH ALL RELEVANT CONTRACT SPECIFICATIONS AND DRAWINGS COPYRIGHT OF THIS DRAWING IS VESTED IN WARDLE

General Notes

Rev	Issue	Revision Description	Amc	Date
02	SG	000K STAIR LOCATION REVISED		01.06.13
01	SG	VALUE MANAGEMENT ISSUE		28.03.13



NADAAA
 NADAAA
 1920 Washington Street No 2
 Boston Massachusetts 02118 USA
 Telephone +1 617 442 6232
 Facsimile +1 888 442 1417
 Email nadn@nadaaa.com
John Wardle Architects
 © 2011 John Wardle Architects
 Level 10, 180 Russell Street, Melbourne Victoria 3000 Australia
 Tel : +613 9654 8700 www.johnwardlearchitects.com

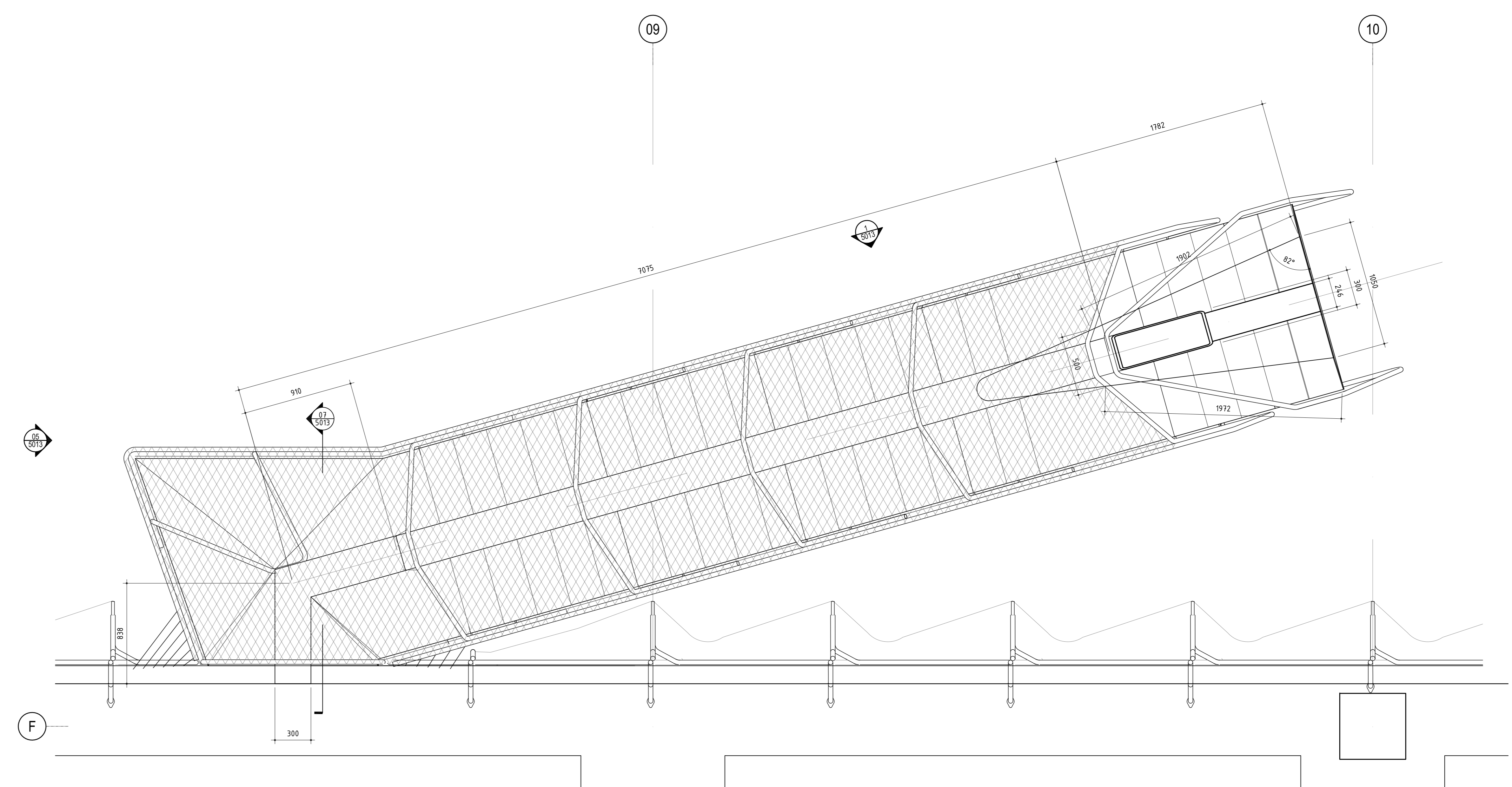
Client **University of Melbourne Parkville Campus**

Project **Faculty of Architecture Building and Planning**

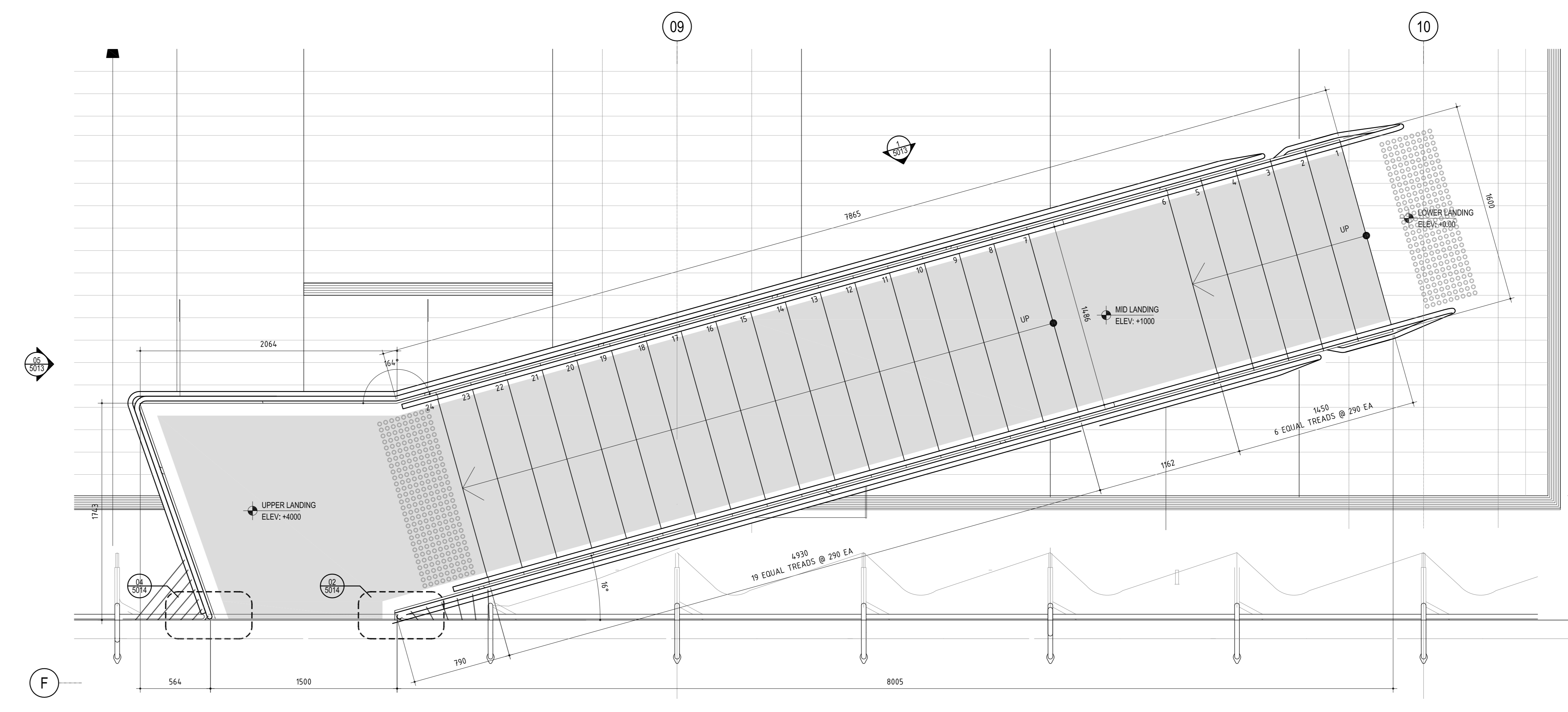
Title **000K STAIR**

Project No.	0913	Scale	1:5
Drawing No.	AR5012	Revision	02
Date	MAY 2013	Drawn	-
Co-Ord	-	Check	-

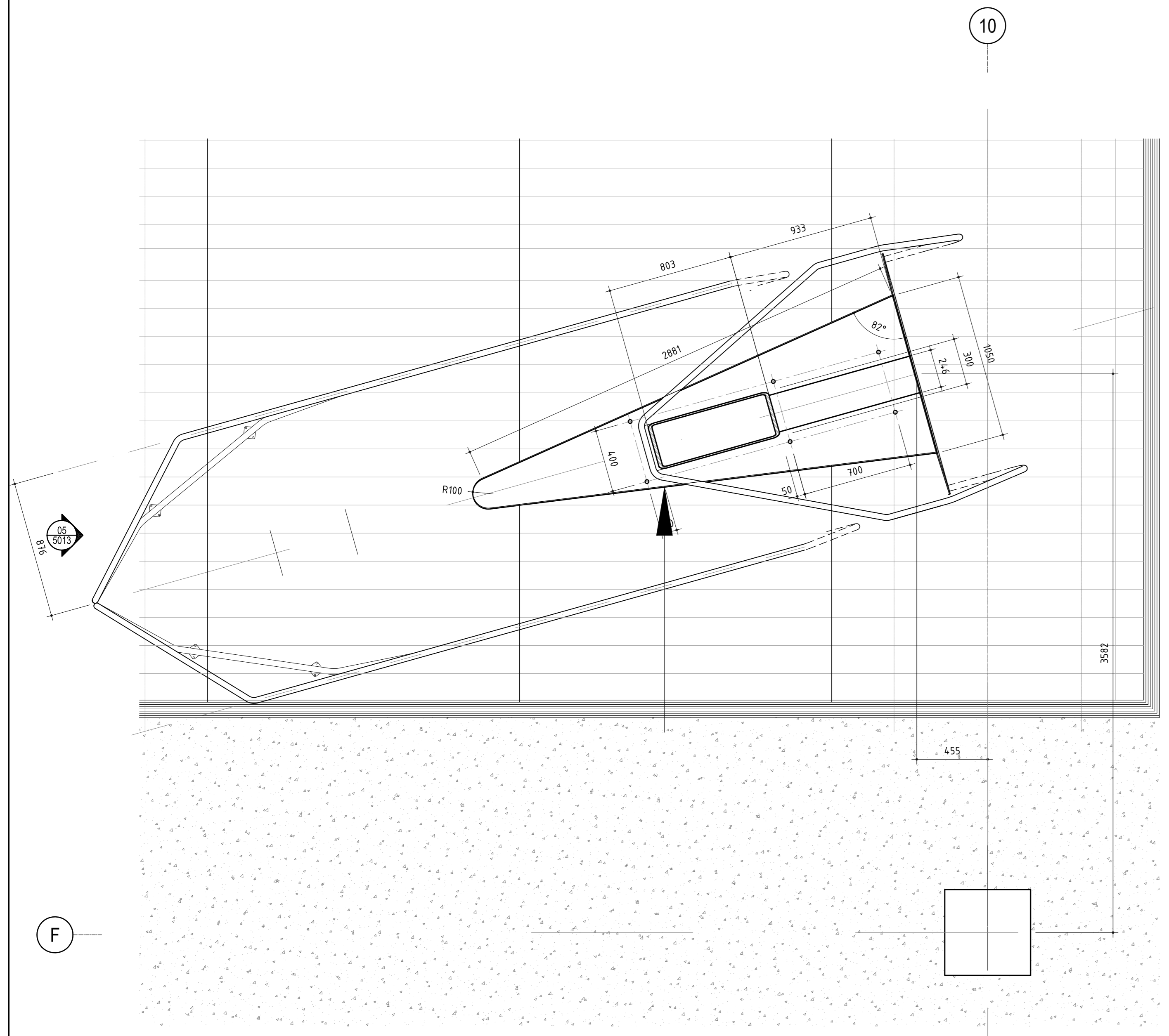
FILENAME: #####
VM ISSUE



02 000K STAIR - REFLECTED CEILING PLAN
 SCALE: 1/20



01 000K STAIR - PLAN
 SCALE: 1/20



03 000K STAIR - PLAN AT BASEPLATE
 SCALE: 1/20